



PROJECTS

# Panorama® C-ST Classic free-standing

Aluminium freestanding balcony systems for public and private roof areas



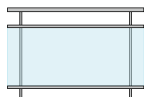
# Centre Panel Variations

## Vision series: glass centre panel

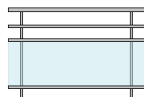
### Square or round handrail and profiles



Full glass



With open gap



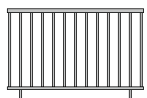
With intermediate rails

We offer glass centre panels with clear VSG safety glass or in VSG glass with matt film. Special versions with other glass variants on request.

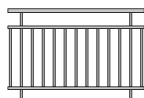


## Air Series: Railing Centre Panel

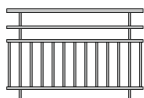
### Square handrail and spar profiles



Full Railing



With open gap



With intermediate rails

The railings are supplied as standard as round profiles with a 20 mm diameter.

### Wide variety of colours

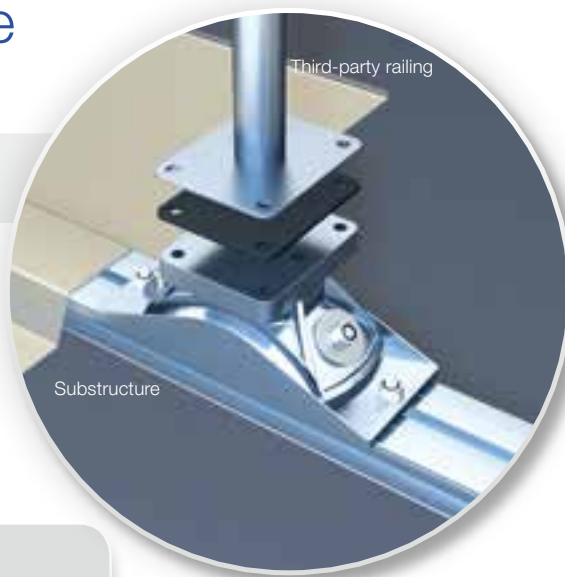
The Panorama range is very slender in appearance and blends particularly well into the building architecture in powder coated finish (a choice of 250 RAL colours).

## Panorama<sup>®</sup> carrier structure

### Substructure for customised solutions

If our selection of rails fails to meet your taste, the carrier structure is available with adapter plates for bespoke solutions.

Structural integrity of third party sub-structures are the customer's responsibility



#### Note:

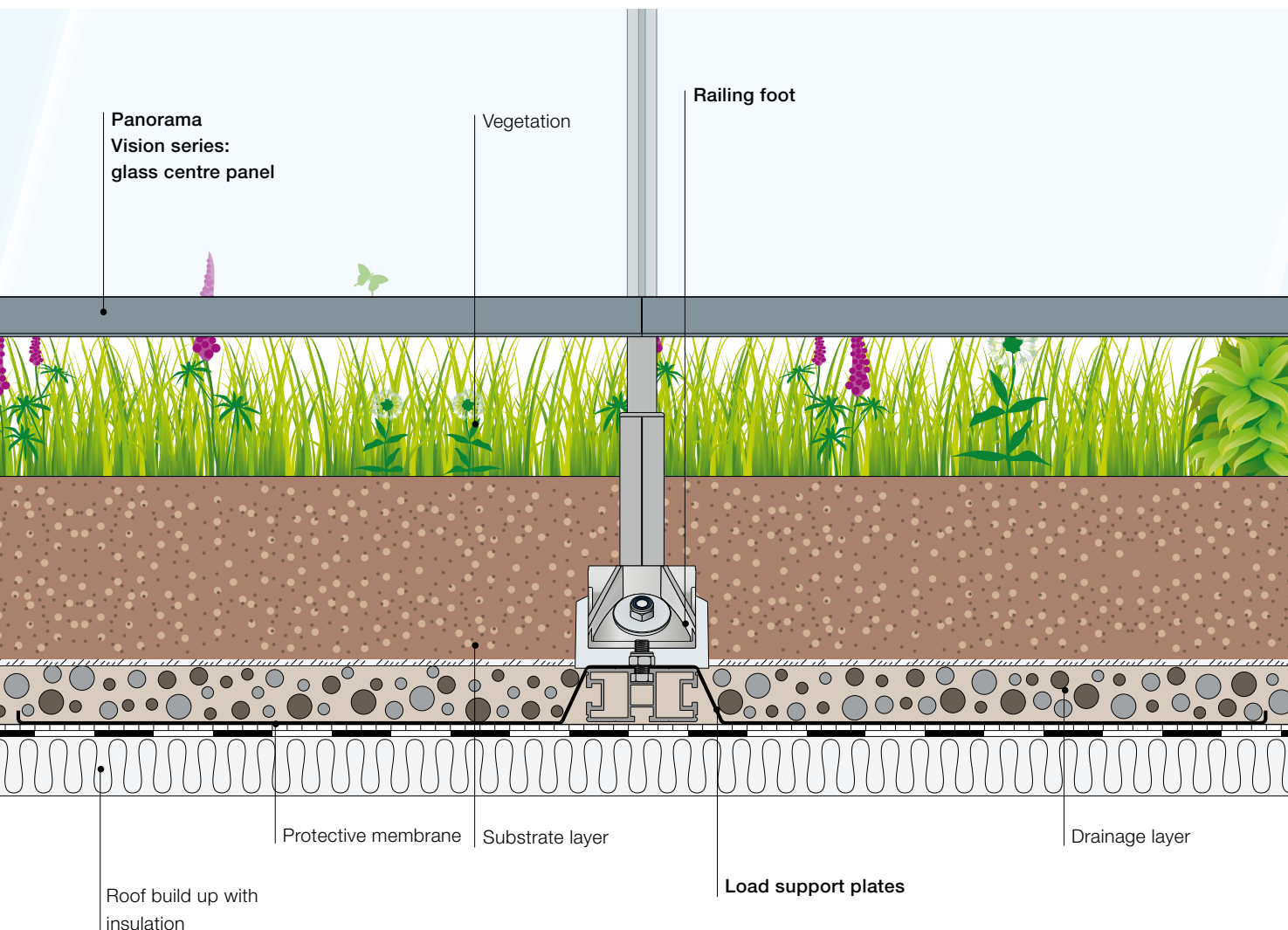
Please send for our detailed checklist if interested, in which the other implementation options are illustrated and the parameters required for guaranteeing structural safety can be obtained.

## Tested and certified

Panorama railings are tested according to Eurocodes and DIN 18008-4 with type tested loads. Panorama free-standing railings are additionally tested according to ETB by certified bodies.



## Example: Panorama® installed in conjunction with a typical green roof system



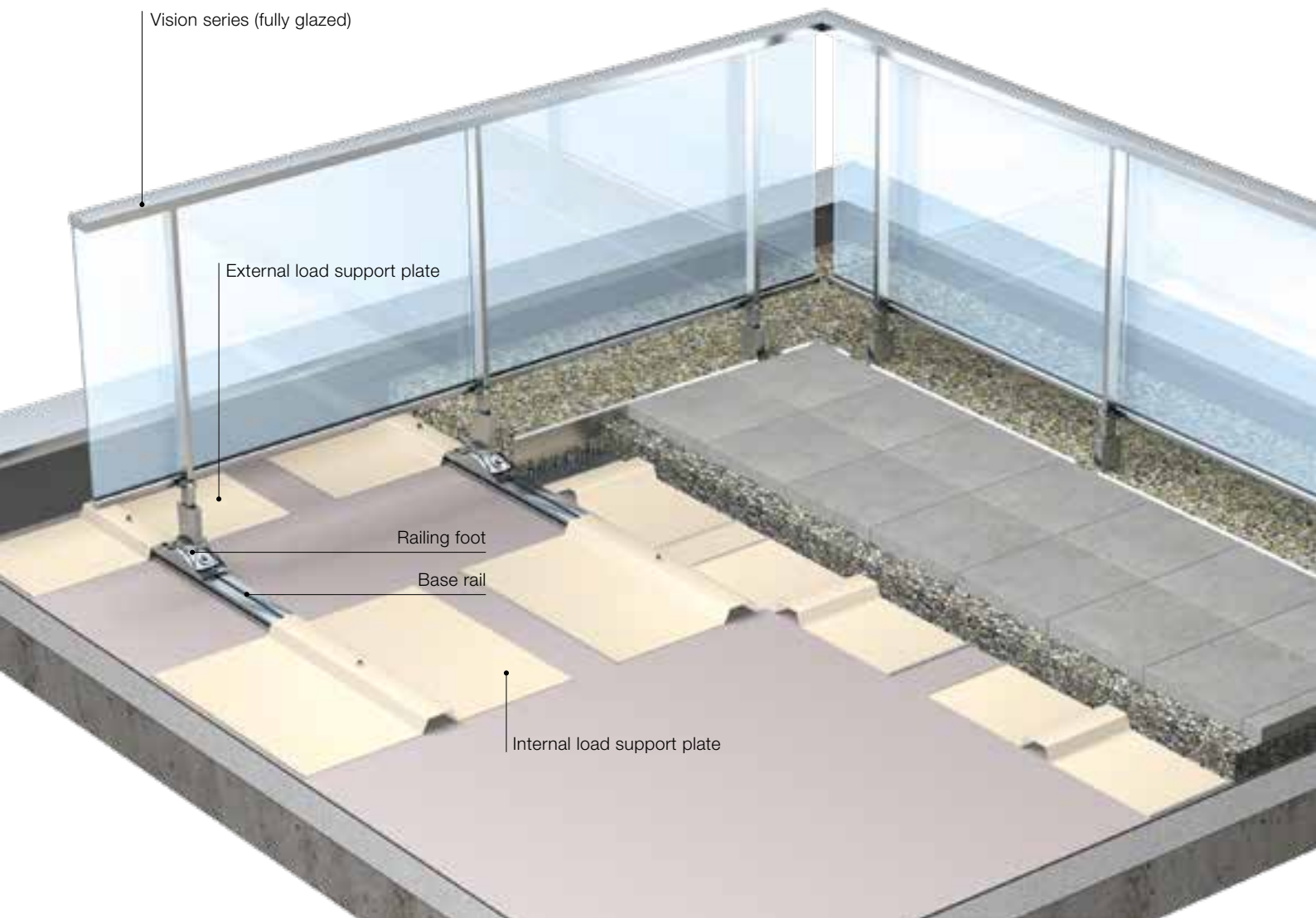


# Perfect combination of technology and aesthetics



- ✓ Static rail loads up to 1.0 kN/m
- ✓ Modular, ballasted system
- ✓ No penetration of the roof membranes
- ✓ No thermal bridging or sound transmission
- ✓ Lightweight, strong, weather and corrosion resistant
- ✓ Related to roof warranty
- ✓ Wide range of centre panel options and RAL colour schemes
- ✓ Adding usable space for new, or refurbishment applications

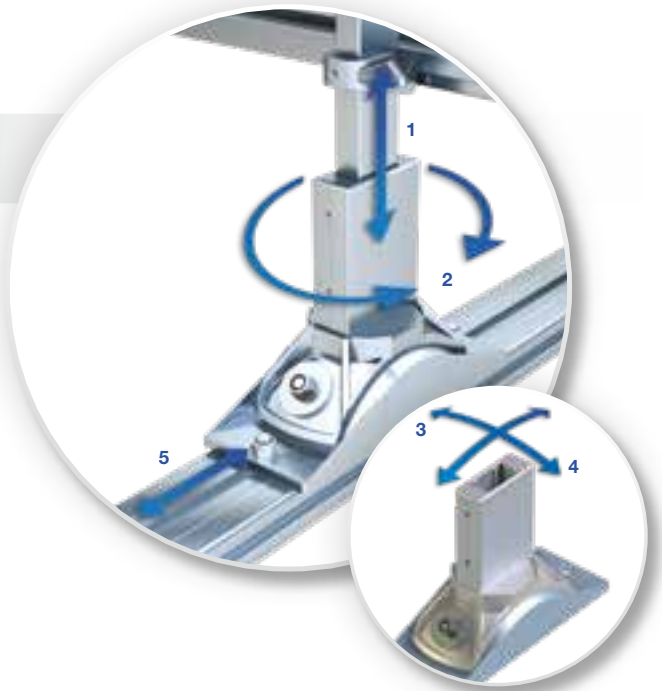
## System components



# The advantages at a glance

## 5-position adjustable railing foot

- The patented railing foot allows for 5 position alignment of the railing posts, compensating for any unevenness in the roof surface.
- The foot can be variably positioned on the base rail for optimum flush alignment of the handrail.
- The flexible system is adapted according to site requirements to the different layer thicknesses of the roof membranes. In the standard version, a height adjustment in the socket of up to 90 mm is possible (special versions on request).



## Load support plates

Stability and safety of the system is provided by base rails with load support plates. The position and size of the plates depends on:

- Type of use (public / private)
- Superimposed load and thickness of the roof build up
- Railing height from finished roof level
- Availability of suitable installation surface area

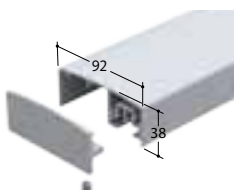
## Infill panel combinations

Panorama offers a range of design possibilities.

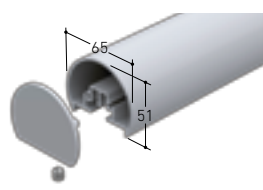
The different combinations are grouped together in 3 main series:

- **Vision series:** glass centre panel
- **Air series:** railing centre panel
- **HPL series:** board centre panel

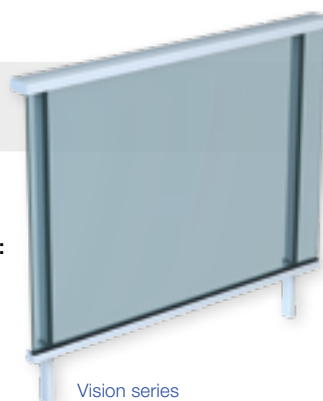
The system is manufactured with a choice of railing options:



Square handrail only for solid-surface variant



Round handrail only for partial-surface variants



Vision series



HPL series



Air series

# An impressive service

**Comprehensive, competent support from planning to the execution stage - dani alu accompanies you in all phases of your project:**

- Safety analysis
- Clarification of technical details
- Proposal of appropriate solutions
- Project checklist and site assistance
- Made-to-measure delivery with layout plan
- Technical support during assembly
- Installation instructions



**Video installation instructions**  
on our webpage

## References



[www.icbprojects.co.uk](http://www.icbprojects.co.uk)

For further information, please contact:  
ICB (Projects) Ltd.  
Unit 9-11, Fleets Industrial Estate, Willis Way, Poole, Dorset,  
BH15 3SU UK Tel: 01202 785200 Fax: 01202 785201 Email:  
info@icbprojects.co.uk