

ICB FABRICATIONS

ARCHITECTURAL ALUMINIUM FABRICATION SPECIALISTS



Expert Advice / Bespoke Fabrication / Polyester Powder Coating / Architectural Profiles / Green Roof Products & Planters / Rainwater Goods

INTRODUCING ICB

STUNNING ALUMINIUM

WE ARE SPECIALIST FABRICATORS AND SUPPLIERS OF STUNNING ALUMINIUM ARCHITECTURAL PROFILES.

/ 01

We supply to architects, roofing contractors, developers, building owners and landscapers helping them realise their project vision with a solution that satisfies even the most challenging briefs.

For unique or complex projects our bespoke fabrication capabilities are second to none.

At the centre of operations is our custom built fabrication facility, where we are able to produce and powder coat a vast range of architectural profiles and components for the most diverse applications and customers.

Alternatively choose from our extensive profile range encompassing Aluminium Fascias, Cappings, Claddings, Cills, Flashings, Soffits, Rainwater Goods, Window Reveals and Green Roof Products all of which can be Polyester Powder Coated to a RAL colour of your choosing.

All solutions offer exceptional outcomes in design accuracy & minimalism, operational performance, installation ease and environmental impact. For your assurance, we are ISO accredited for quality, environment and health & safety.

Whilst aluminium offers many advantages, we can fabricate building elements using a wide range of materials including aluminium, membrane-coated aluminium or stainless steel and galvanised steel.

Our team is as capable as it is willing. You can rely on our knowledge, expertise and technical excellence to deliver cost-effective solutions on time, every time.

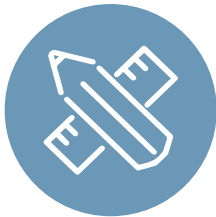
BESPOKE FABRICATION



FROM OUR CUSTOM BUILT FABRICATION FACILITY WE CAN MEET THE MOST CHALLENGING BRIEFS.

/ 03

We offer a complete solution all backed up by industry-leading guarantees from an ISO accredited specialist.



EXPERT ADVICE & SURVEY

Each survey comes with 30+ years experience in metal fabrication.

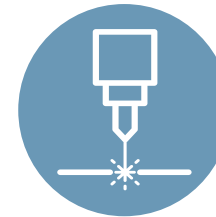
Undertaken by our fully experienced Regional Field Technicians using the latest surveying equipment, a survey from us ensures the highest degree of accuracy. This is then passed on to the Fabrications Design Team who then completes the design process.



DESIGN & TECHNICAL (CAD) DRAWINGS

Benefit from our in-house experts' experience-based advice & guidance.

Our bespoke design service uses architectural drawings along with the customer's design concept to develop a full system that works in tandem with the waterproofing element. Using CAD we design full fabrication drawings including site plans to enable easy installation.

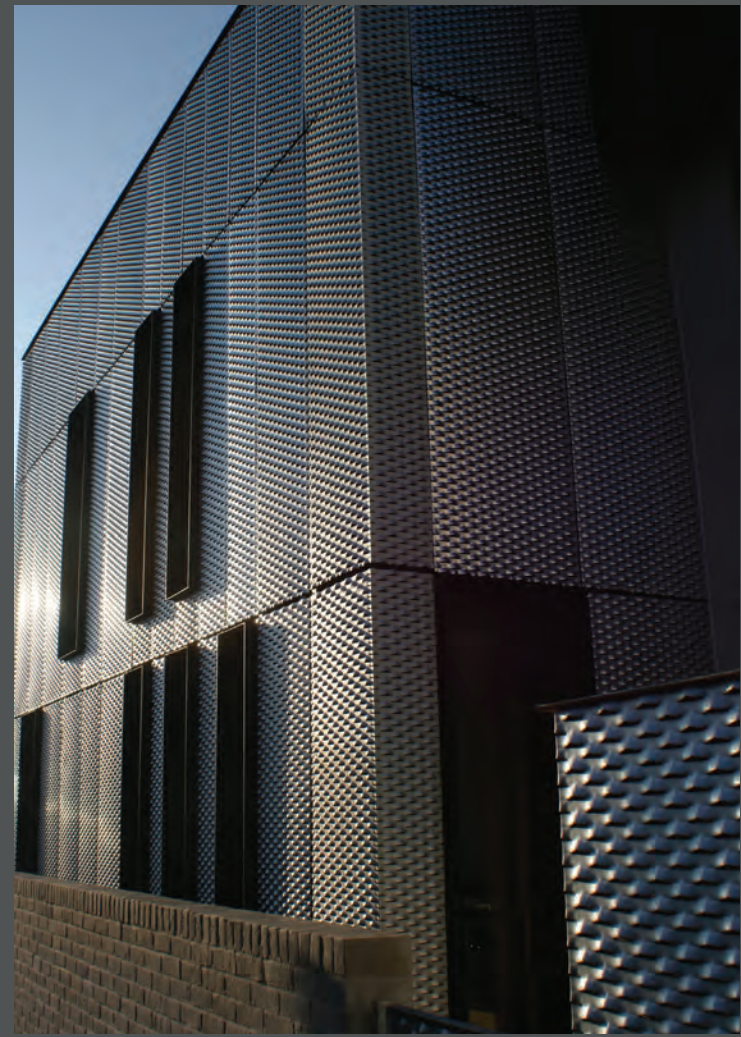


BESPOKE FABRICATION

We are capable of transforming almost any design into a finished product using aluminium, stainless steel, galvanised or pre-coated steel.

Specialising in architectural profiles we have over 30 years experience in the construction industry. We fully understand the challenges of both new build and refurbishment.

BESPOKE FABRICATION





POLYESTER POWDER COATING



WE CAN COAT IN ANY COLOUR AT OUR IN-HOUSE POLYESTER POWDER COATING FACILITY.

/ 07

Our surface colour treatment, based on a polyester resin, cures at a high temperature and offers a super smooth or textured surface.



Ideal for use on exterior applications it's tough, flexible and highly resistant to cracking, flaking and colour fade.

Specialist ITW Gema electrostatic coating equipment is used to give a quality finish.

We are able to apply polyester powder coatings to metal sheets up to 3.0m in length, 1.5m wide and 0.4m deep.

Our fabrications comply with marine specification as standard and our coatings are applied in accordance with BS EN 12206-1: 2004 (Paints and varnishes, coating of aluminium and aluminium alloys for architectural purposes).

Every batch is rigorously checked to meet the relevant standards and with our stringent measures in place we are able to ensure exceptional quality control.

✓ 10 YEAR WARRANTY (T&CS APPLY)

✓ POWDER COATING FOR METAL SHEETS
MAX 3.0M (L) X 1.5M (W) X 0.4M (D)

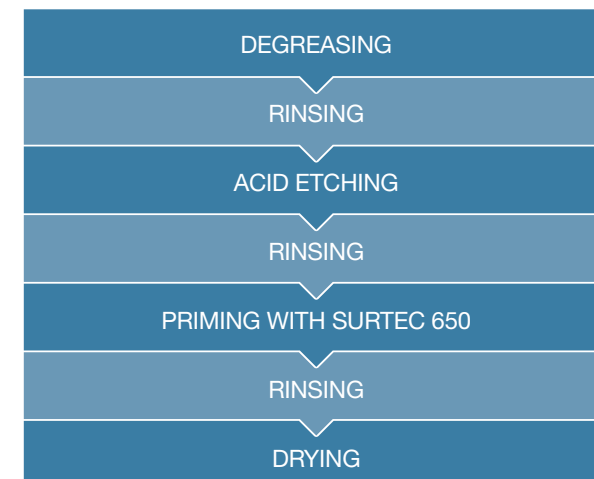
✓ COMPLIANT TO BS EN 12206-1: 2004

✓ ISO 9001 QUALITY MANAGEMENT CERTIFIED

✓ ISO 14001 ENVIRONMENTAL CERTIFIED

✓ ISO 18001 HEALTH & SAFETY CERTIFIED

Coated aluminium is subjected to a rigorous multi-stage, pre-treatment process to guarantee paint adhesion and durability. The 7 stages to quality are:



ARCHITECTURAL PROFILES



DESIGN YOUR PROJECT USING OUR WIDE RANGE OF ARCHITECTURAL ALUMINIUM PROFILES.

/ 09

High performing, aesthetically stunning, architectural detailing has never been so easy to source and install.

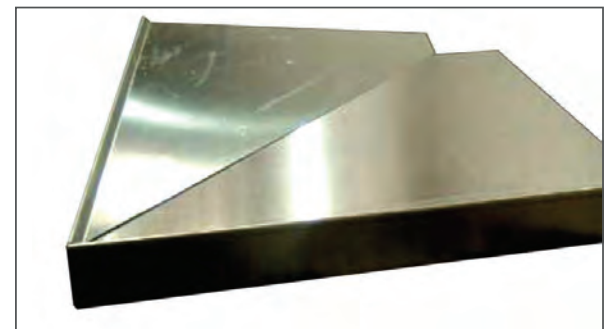
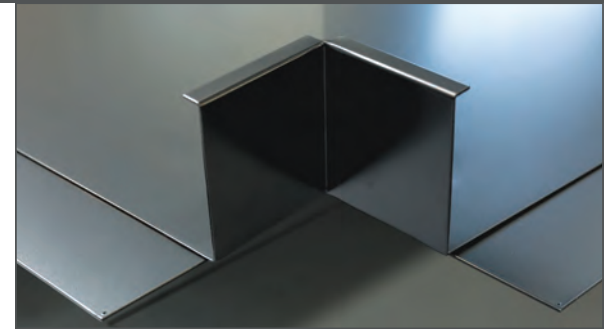
All our standard profiles are fabricated from high grade aluminium.

Aluminium is a light, yet strong material. Unlike steel that can become brittle at low temperatures, aluminium's tensile strength actually increases at low temperatures. Being corrosion resistant, aluminium also never rusts.

Aluminium is infinitely recyclable. In fact, to recycle aluminium only requires 5% of the energy used to make primary aluminium and it does not lose any of its original properties.

To sum it up: aluminium satisfies the requirements associated with a 'green' material, being versatile, recyclable and sustainable.

- > FASCIAS
- > CAPPINGS
- > CILLS
- > SOFFITS
- > WALL CLADDING
- > WALL FLASHING
- > WINDOW REVEALS
- > RAINWATER GOODS
- > GREEN ROOF PRODUCTS



EDGE TRIMS - TA & TAG PROFILES



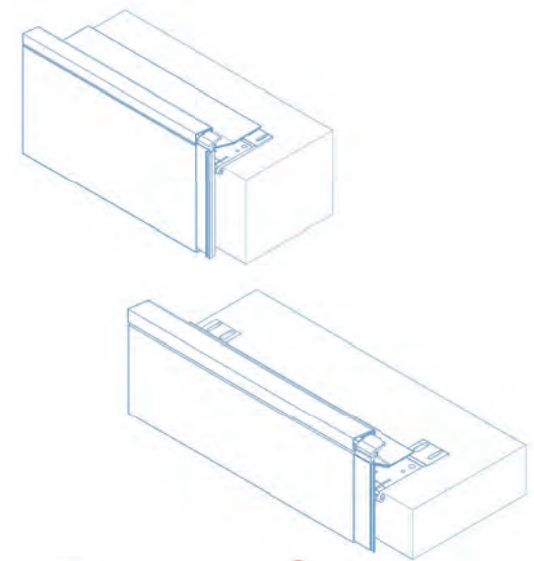
DESIGN YOUR EDGE TRIMS USING OUR ALWITRA® ARCHITECTURAL PROFILE RANGE.

/ 11

We are the UK partner for alwitra® and with their products we can meet your requirements for edge trims which provide an aesthetic finish to any roof-top.

The alwitra® TA/TAG Series Edge Trim system is a unique and versatile roof edge detail made from high quality aluminium. Allowing free movement of all structural parts, it also prevents splitting of the waterproofing caused by thermal expansion and contraction of differing materials. Ideal for new build and refurbishments, alwitra® Trims can easily be installed over existing failing roof edges. Available in various profile finishes, colours and specifically designed to work with single ply or felt membranes.

TAG profiles have a patented 4F fascia mounting bracket for universal adjustment and are supplied with an aluminium fillet plate to remove the need for timber fillets. Made from roll-formed aluminium alloy, they offer all the benefits of the TA Series plus a greater range of available depths. All TAG profiles can be supplied in the following finishes: plain aluminium or polyester powder coated in a range of attractive colours.



alwitra 
DIE DACHMARKE

EDGE TRIMS - ARTLINE



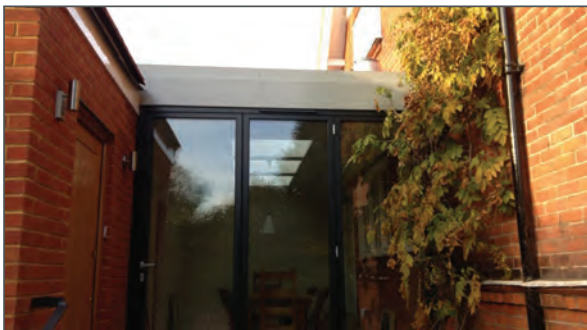
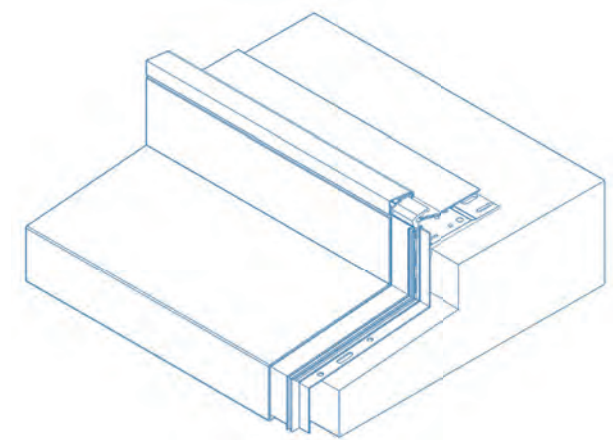
ARTLINE'S HIGH PERFORMING ARCHITECTURAL DETAILING HAS NEVER BEEN SO EASY TO SOURCE AND INSTALL.

/ 13

Supplied exclusively by ICB, alwitra® artline is a combined fascia and soffit system created to eliminate failure at the critical point where the roof meets the vertical cladding.

Its a multi-piece rolled and additionally bent aluminium profile for roof edges with a sophisticated design. Artline has a front face height from 75 to 150 mm supplied with patented 4F fixing brackets as standard. Its horizontally moveable, height adjustable, rotatable and adjustable angle.

Featuring the same high-grade production and use of materials as all other alwitra® products, these edge trims provide long term protection and enhanced aesthetic appeal and are available in any RAL colour or metallic finish.



alwitra 
DIE DACHMARKE

WALL CAPPINGS

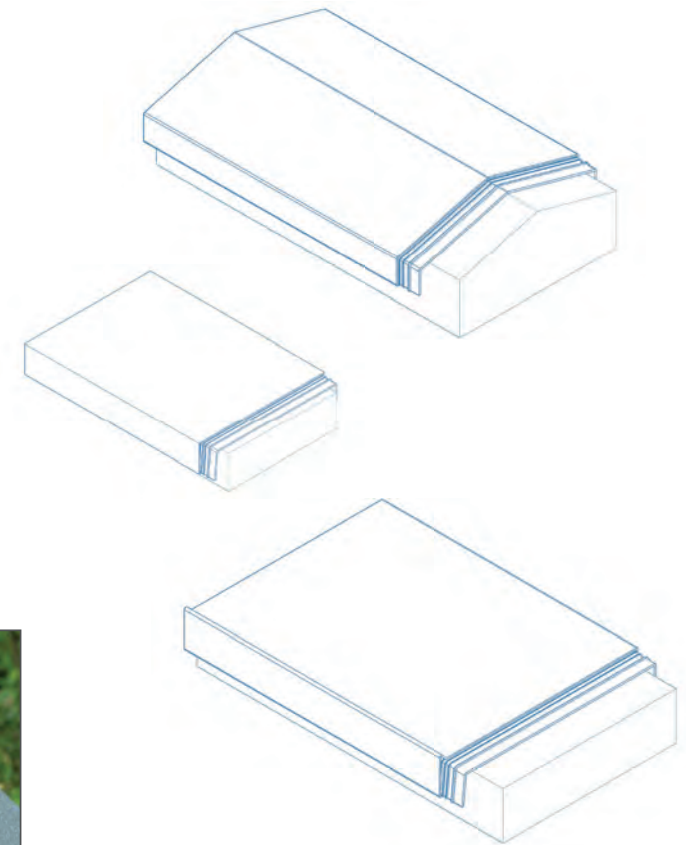


DESIGN YOUR WALL CAPPINGS USING OUR ARCHITECTURAL PROFILE RANGE.

/ 15

Our comprehensive range of wall capping systems provide a proven and secure method of protecting parapet and perimeter walls.

They are delivered with an attractive and weatherproof finish. Our wall capping systems are super simple to install, simply clipping onto specially designed profile holders which provide a secure wall capping system with no visible fixings. Corrosion resistant, our capping systems are a perfect choice around the coastline and are featured heavily in many luxury home developments found around the south coast such as Christchurch, Canford Cliffs, Lymington and Sandbanks.



FLASHING, SOFFITS, CILLS & MORE



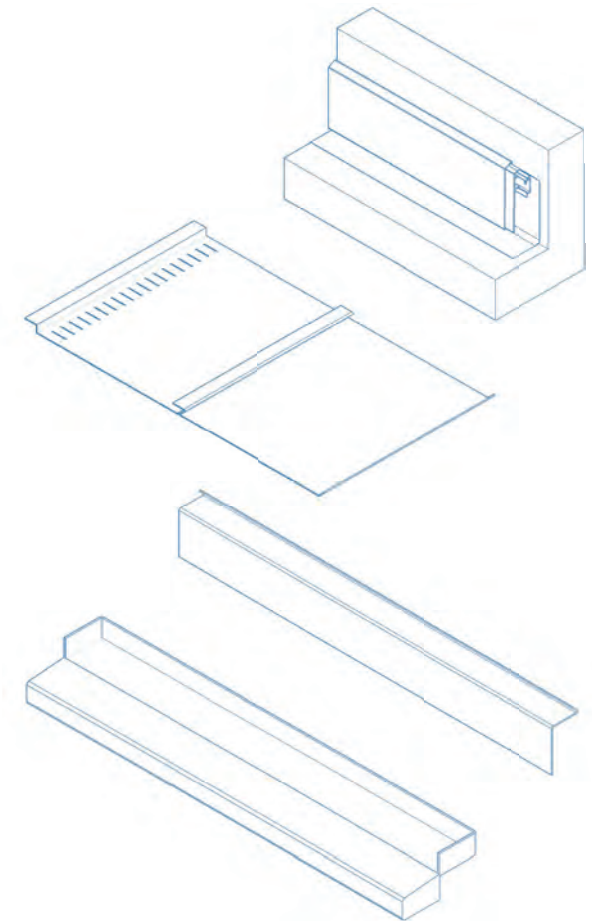
DESIGN YOUR FLASHINGS, SOFFITS, CILLS & MORE USING OUR ARCHITECTURAL PROFILE RANGE.

/ 17

We provide a quick and reliable source for flashings, closures, soffits, cills and more.

Metal flashings and trims are formed to order in standard lengths as required and come in a choice of materials, coatings and colours. We supply products to mechanically secure membrane upstands, ranging from clamping profiles that are quick and easy to install, to those designed to protect membrane upstands from mechanical damage over long periods of time.

ICB soffits are formed to order in standard lengths as required and come in a choice of colours. They can be integrated with our TA&TAG roof edge systems. Available in a choice of metals and finishes, or powder coated to any colour, RAL or otherwise, our custom-made window cills combine quality aesthetics, ease of installation and meticulous choice of materials to provide a high quality and practical solution for any project requirement.



WALL CLADDING & WINDOW REVEALS



DESIGN YOUR WALL CLADDING & WINDOW REVEALS USING OUR ARCHITECTURAL PROFILE RANGE.

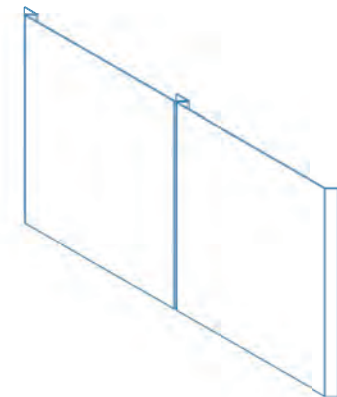
/ 19

We manufacture bespoke wall cladding & window reveals to your measurements in either aluminium or stainless steel.

Window reveals can enhance the aesthetic appeal of your project when powder-coated to a colour of your choice, to match the styling of other building elements such as the cladding.

ICB custom cladding panels are formed to order in standard lengths as required and come in a choice of colours.

They can be integrated with our TA & TAG roof edge systems. Our custom-made window cills combine quality aesthetics, ease of installation and meticulous choice of materials to provide a high quality and practical solution for any project requirement.



GREEN ROOF PRODUCTS & PLANTERS



DESIGN YOUR GREEN ROOF PRODUCTS & PLANTERS.

We also provide a range of green roofing products from border profiles, inspection boxes to custom planters.

Garden Border Profiles

Easily separate various parts of the garden planting scheme and the plants from other items on the roof.

Inspection boxes

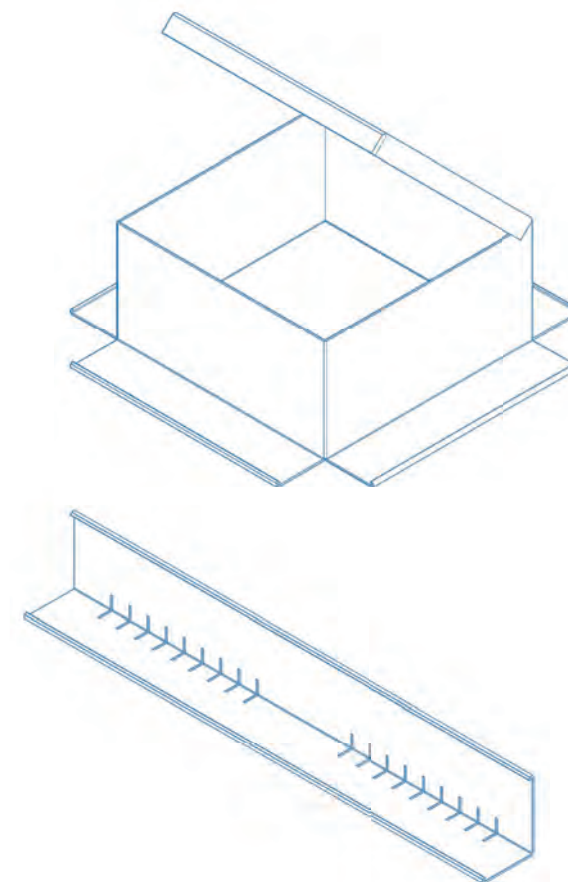
Available in aluminium to standard or bespoke sizes, they ease the inspection of rainwater outlets and help prevent these becoming clogged with debris from the roof garden.



Planters

Simple geometric design or something more complex our corrosion-free aluminium planters are made to measure and ideal for domestic or commercial use.

Available in mill finish or powder coated to the colour of your choice. Available in 2mm – 5mm thickness with optional drainage holes.



RAINWATER GOODS



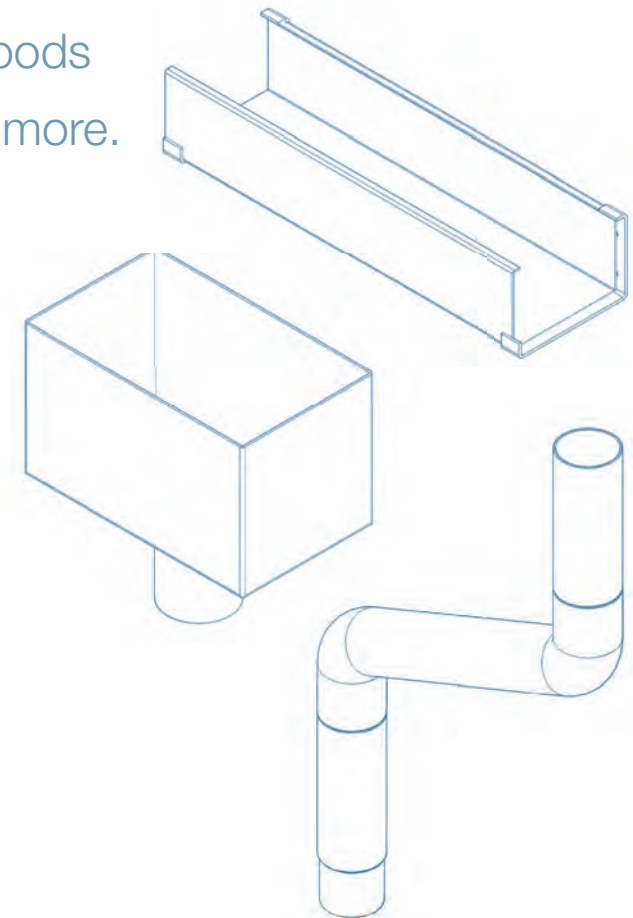
DESIGN YOUR RAINWATER GOODS.

We manufacture and supply an extensive range of rainwater goods which include hoppers, gutters, downpipes, outlets and much more.

Made primarily from lightweight, durable aluminium, our top-spec rainwater goods are available in mill finish or with a polyester powder coating, if required.

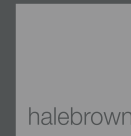
With project-specific tailoring, we offer both square and circular downpipes in a variety of dimensions to suit your requirements. Supplied as a complete product, our downpipes of course come with all required fittings, including brackets, bends and offsets.

Our hoppers offer a practical solution to increase the capacity of rainwater downpipes and can be designed to match the building aesthetics in both colour and styling. ICB aluminium gutters offer the same high standard, with the benefit of powder coating to any RAL colour. Square or round, they come with a range of gutter brackets to include fascia, rafter-top and rafter-side fixing.



OUR CLIENTS

We are proud to work for some of the UK's most forward-thinking and creative architects, roofing contractors, developers & landscapers.



"ICB Fabrications are great to work with, especially with bespoke, detailed and intricate fabrication."

ALL ROOFING

"Thank you for turning around your drawings so promptly and your metalwork looks nice and crisp on the house."

DESIGNSCAPE ARCHITECTS

"The service has been outstanding accommodating every request which has been very challenging."

The nature of our work means that delivery schedules are often very tight, and the precision engineered bespoke parts that we make can mean turnaround on the parts is very time sensitive and at short notice...

You've been added to our preferred suppliers list."

FLANN MICROWAVE

"I've worked with ICB for the last 5 years and only have good things to say about the customer service and products that I have received. Having just one company to deal with from start to finish not only makes my life easy but clients love that it is under one roof as well."

LANYON DEVELOPMENT

"We have worked with ICB on several occasions and we would thoroughly recommend them for their high level of professionalism and efficiency. The team are very knowledgeable, helpful and resourceful, and always deliver on their commitments."

OB ARCHITECTURE

"We find all the staff at ICB, friendly, helpful & knowledgeable."

S&P ROOFING

"I am pleased to recommend ICB Fabrications for the following reasons:

They are an easy Company to deal with, always responding to calls. Whenever we need their help, they don't just offer help, but try to take ownership of their involvement, assistance and advice.

ICB are responsive and attentive. In instances where the solution to a customer's problem has not been straight forward, ICB have made available their broad range of facilities and expertise to help engineer and see through an appropriate resolution.

ICB treat their employees and customers like human beings. Even if a problem does not involve ICB materials or services, directly, in their loyalty to their customers, ICB still will help out."

JOHN NICHOLSON LIMITED



ARCHITECTURAL ALUMINIUM FABRICATION SPECIALISTS

 01202 785200

 sales@icbfabrications.co.uk

 www.icbfabrications.co.uk

 **UK Head Office**
Unit 9-11 Fleets Industrial Estate Willis
Way, Poole, Dorset BH15 3SU

Scottish Office
87 Calder Street, Coatbridge ML5 4EY

Company Number 06469260

VAT Number 926098404

© Copyright 2020 ICB (Fabrications) Limited

Social

